

INTRODUCTION

The Screen Up Freestanding Post is a versatile and decorative addition to the Screen Up range. Build complete privacy screens without the need to anchor to a wall, or use it as a freestanding post to span longer distances, the range includes:

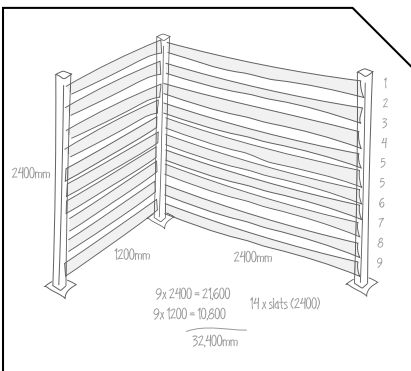
- 2-way joiner & 3-way corner posts (sold complete with spacers, end caps & lock-in bracket)
- A choice of bolt-on base plates or anchor plates (for concreting into place)
- Cover strip (doubles as brace strip) and spare spacer/cap packs

WHAT YOU'LL NEED

- Screen Up Freestanding Posts
- Base Plate and or Anchor Plate
- 19mm timber, aluminium or composite
- Drill and screwdriver
- Tape measure and spirit level
- Hand saw or electric saw
- Masonry Anchors
- Spanner (for base plate)
- Button head screws

FIXING THE POSTS

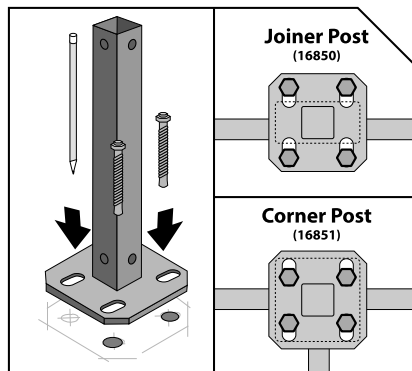
Measure & position the posts



Plan and mark the position of your screen. Measure the distance between posts and check heights so you can determine materials needed.

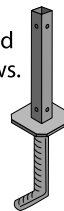
If your screen begins or ends on a wall, consider using Screen Up channels for a minimalistic look.

Fix base plate to the ground

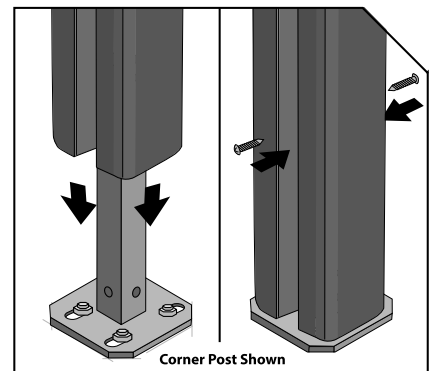


Mark & drill the four anchor holes, noting fastener positions shown above. Secure the base plate to the ground surface with suitable bolts or screws.

If you are pouring a concrete base, use an anchor plate embedded into the concrete instead of the base plate.



Attach the post & lock in place

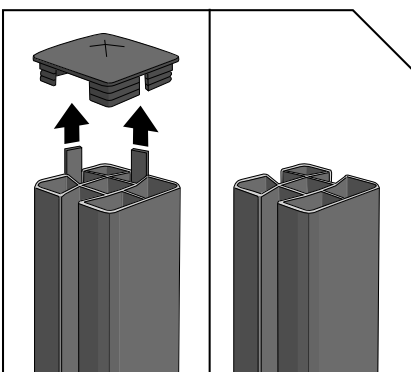


Use spirit level to ensure the base is plumb and level. Slide the post over the base plate and secure in place with screws provided. Double check the levels.

If your ground surface is not level you may need to use packing strips between the base plate and the ground surface to get a firm fixing.

BUILDING THE SCREEN

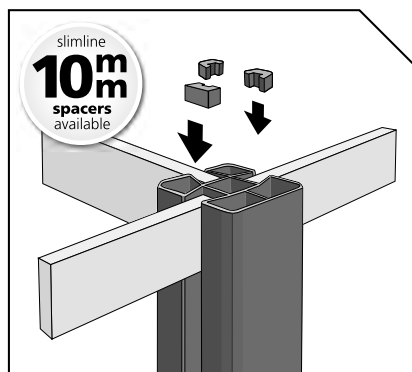
Remove cap & cover strips



You can remove 1 or both of the cover strips as required. It is best to leave the cover strips in where you do not intend to insert slats to prevent debris or insects.

The cover strips also double as brace strips.

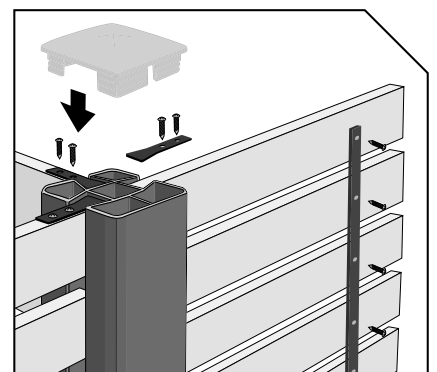
Insert the slats and spacers



Cut your slats to fit snugly between the posts and insert them with spacers as required. Use a spirit level to ensure that your first (bottom) slat is level.

If on a sloping surface, you may need to level the first slat with the 10mm spacer provided.

Lock in and brace the slats



Lock in top slat with bracket and 2 screws. Mark and drill holes in the brace strip to line up with the back of each slat. Fix in place with 15mm button-head screws. Replace cap.

The brace strip prevents timber from warping. Recommended for screens wider than 1200mm.